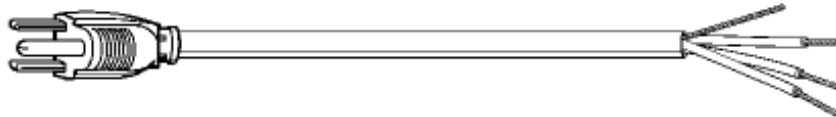




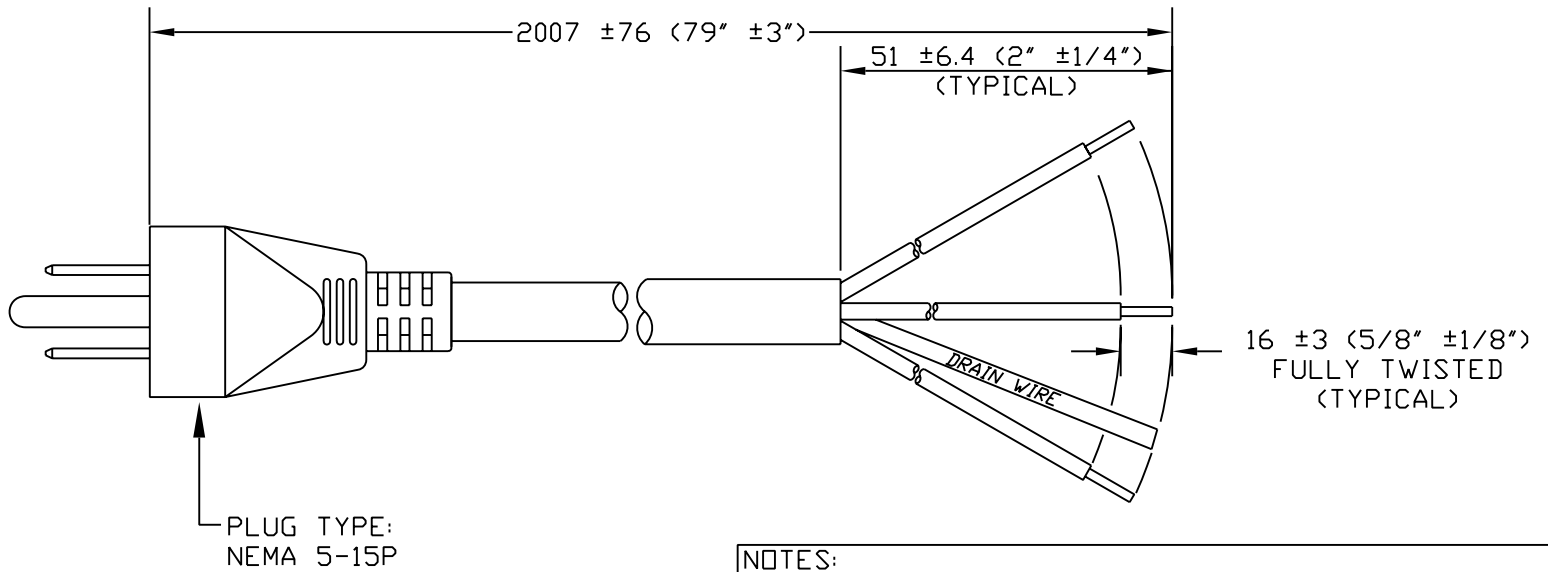
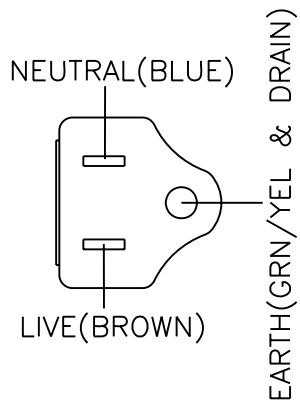
VOLEX

GROUP

Standard Cord Details: 17720 10 B1



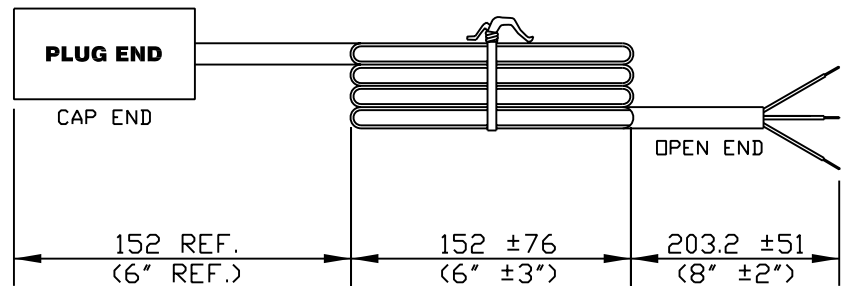
Specifications	
Certifications	
Part Number	17720 10 B1
Connector Type	none
Plug Type	5-15P
Category	Plastic
Application	Non-Detachable
Plug Catalog No.	
Connector Catalog No.	
Cable	SVT AWG 18x3 (Shielded)
Jacket Color	black
Length in Feet	6'7_
Length in Meters	2
Temperature Rating	105
Packaging Units Per Carton	H-100,H-25
Color Coding	International
Nominal OD in Inches	0.27
Nominal OD in Millimeters	6.86
Notes	See 17740 for 60C version. See 17747 for unshielded version.



VOLEX RESERVES THE RIGHT TO ALTER NON-CRITICAL DIMENSIONS WITHOUT NOTICE.

- NOTES:**
- 1) CORDAGE: 18/3, SVT, 105°C, BLACK, LEAD FREE, FOIL SHIEDED WITH DRAIN WIRE.
 - 2) APPROVALS:
 - 3) RATING: 10 AMP/125 VOLTS
 - 4) DRAIN WIRE CONNECTED TO GROUND PIN OF PLUG PRIOR TO MOLDING.
 - 5) PACKAGING: 100 PIECES/CARTON
 - 7) ALL DIMENSIONS IN MILLIMETERS UNLESS OTHERWISE NOTED.

PACKAGING: FOLD & TIE



REV	DESCRIPTION	DATE
1	C.U.D - NEW RELEASE	9/21/07



FORM IN71-07 REV.A

- Indianapolis, IN
- Conover, N.C.
- Freemont, CA
- Aguascalientes, MX
- Tijuana, Mexico
- Hermosillo, MX
- Clinton, AR
- Kanata, Canada

Proprietary Notice:
This document is the property of Volex Incorporated. The information contained herein is not to be disclosed to anyone without the express written consent of Volex Inc.

MATERIAL:
PLUG: PVC, BLK, LEAD FREE
JACKET: PVC, BLK, LEAD FREE

FINISH:
JACKET: SMOOTH

SCALE:
NOT TO SCALE

ECD:
N/A

TOLERANCE UNLESS OTHERWISE SPECIFIED
.XXX ± .005
.XX ± .02
.X ± .03
FRACT. ± 1/32
ANGULAR ± 1/2°

ITEM DESCRIPTION
CORDSET - NORTH AMERICAN
POWER SUPPLY CORD (6'7")

APPROVED
STC

DRAWN BY
STC

DATE:
9/21/07

PART NO.
17720 10 B1